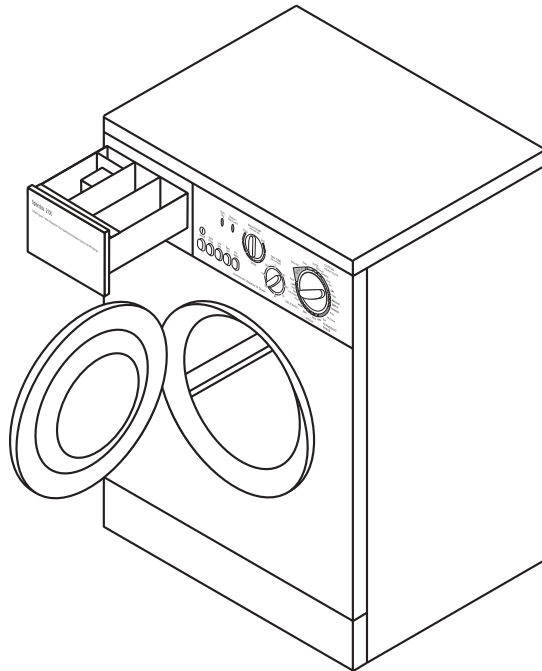


**2003**  
**General Information**  
**Washer/Dryer**  
**Addendum**



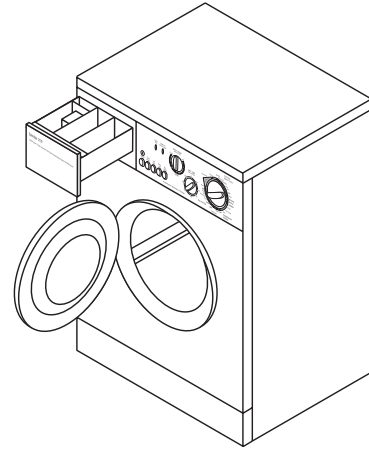
The information printed here reflects product design, fabrication, and component parts at the date of printing. Due to product improvements, changes during the model year and/or transcription errors that may occur, information represented within this document may not be accurate at the time of purchase. Please confirm any information with the dealership.

The manufacturer reserves the right, at any time, to make changes in product design or material or component specifications as its sole option, without notice. This includes the substitution of components of a different brand or trade name, which will result in comparable performance. All information printed in this document is subject to change after the date of printing. Some features shown or mentioned in this document are optional and may only be available in selected floorplans.

**©Copyright Monaco Coach Corporation. All rights reserved. All trademarks or registered trademarks are property of their respective holders. Brand name products of other companies mentioned in this addendum are not endorsed by Monaco Coach Corporation.**

The automatic washer-dryer has a capacity of up to 12 lbs. of dry clothing. It is front loading with an extra large door opening for easier access. Several wash and dry programs are available along with variable water temperature settings.

## WASHER- DRYER (Optional)



031017



**INFO:** The washer-dryer has many features. Refer to the manufacture's manual in the owner's information file for detailed operating instructions.



**WARNING:** Open a window or vent while operating the dryer. The washer-dryer can create negative air pressure inside the motorhome that can accumulate Carbon Monoxide or LP-Gas while operating fuel-burning appliances.



**CAUTION:** Do not use the washer-dryer while traveling. Suspension movement, combined with the weight of the drum while in the wash cycle, can damage the internal components of the washer-dryer.

Before using the washer for the first time, after winter storage or a long period of non-use, it is a good idea to conduct this simple test procedure prior to loading the machine for use. This procedure will verify all the hardware and electronic components are functioning properly. Wipe the inside and outside with a damp cloth to remove any travel dust that has accumulated.



**NOTE:** Perform this test before putting the washer-dryer in use for the first time or after the winter months. This will clear the water lines and drum of winterization antifreeze.

**Test Procedure Requirements:**

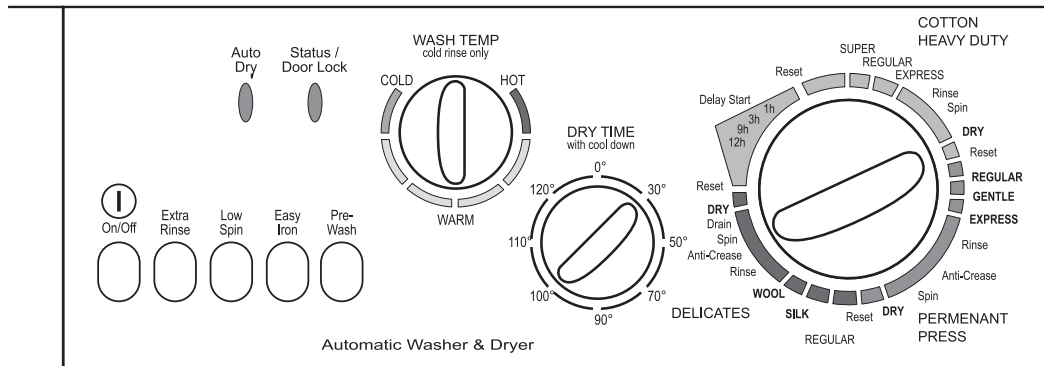
- Make sure water lines are secure and any water valves are open.
- Hook to city water or turn on the water pump.
- Hook to shore power or start the generator.

**To Conduct the Test Procedure:**

1. Set the selector knob to **Reset**.
2. Set the **Dry Timer** knob to 30 minutes. Push the **On/Off** button to **On**. Wait five seconds. The **Auto Dry** light should be on and the **Status** light flashes fast then slow.
3. Set the selector knob to a wash cycle. Set **Wash Temp** knob to **Warm**. Water should be flowing into washer and drum should rotate both directions.
4. Set the selector knob to **Reset**. Wait five seconds.
5. Set the selector knob to **Spin**. Water should drain and drum rotation should speed up.
6. Set the selector knob to **Reset**. Wait five seconds.
7. Set the selector knob to **Dry**. Dryer fan should begin and drum should rotate both directions.
8. Set the selector knob to **Reset**. Wait five seconds.
9. Set the **Dry Time** knob to zero. The **Auto Dry** light should go off.
10. The door will unlock in two minutes or less. The **Status** light flashes fast then slow. The door should now open.
11. Push the **On/Off** button to **Out** (Off) position. The **Status** light should be off.



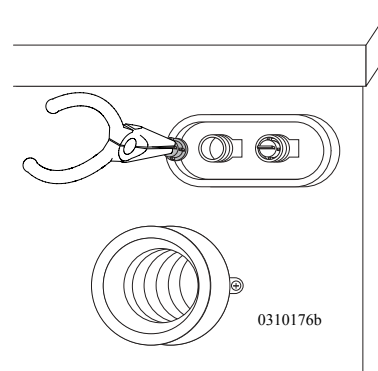
**WARNING: Do not wash or dry articles that have previously been cleaned, washed, soaked or spotted with gasoline, dry cleaning solvents or other flammable or explosive substances. They give off vapors that could ignite or explode. Do not add gasoline, dry cleaning solvents or other flammable or explosive substances to the wash water. Do not use heat to dry articles containing foam rubber or similar textured, rubber-like materials.**



031017

**To begin a wash load:**

- Sort and pre-treat clothes.
- Add the measured amount of detergent suggested by the package directions (maximum two tablespoons).
- Load the clothes loosely into the washer. Close the washer door.
- Turn the Wash Temperature knob to the desired temperature setting.
- Choose the desired washing cycle option using the Selector knob.
- Load wash tray with detergent.
- Turn the power ON.
- After the cycle is complete, wait two minutes for the door lock to release before attempting to open the door.



**NOTE: If water flow to the washer-dryer is reduced, the Hot and Cold water inlet screens may be clogged. Remove water pressure and undo water lines at the back of the washer-dryer. Use tweezers or pliers to remove screens from fittings. Clean and install screens and water lines. Hook to city water or turn on the water pump. Check for water leaks before using the washer-dryer.**

---

## **Washer-Dryer Maintenance**

Occasionally wipe the exterior cabinet of the washer-dryer with a damp cloth or sponge. Wipe dry with a soft cloth. Do not use polish on plastic trim. In areas of hard water, detergent can accumulate in the drum. Obtain a packaged water softener. Add quantity as specified by the manufacturer directly to the drum. Run the washer through a complete cycle using hot water. Repeat the process if necessary. Remove hard water deposits using only cleaners labeled as washer safe. Wipe the inside of the washer-dryer door with a soft cloth to remove any moisture. Periodically apply a thin coat of paste wax to the inner door, especially to the area that is immediately next to the door window. This will protect the door finish from laundry spills and discoloration.



**NOTE: Should the washer-dryer need removal for service, care should be taken as the washer-dryer weighs approximately 170 lbs. Proper accommodations should be made to avoid risk of injury or damage to the cabinetry.**

### **To Winterize the Washer Dryer with Air Pressure:**

1. Hook an airline (regulated to 45 psi or less) to the water inlet of the motorhome.
2. Rotate Selector knob to a wash position with the Wash Temp setting on Warm. Press the power button to On. Air pressure will clear the Hot and Cold water lines.
3. After water lines are clear, rotate Selector knob to Spin. Allow the pump to drain the drum.
4. Set Selector knob to reset and Timer to zero. The door will unlock in two minutes or less. Open door and pour in  $\frac{1}{4}$  gallon of RV antifreeze.
5. Set Selector knob to Spin. The pump will prime with antifreeze. Set selector knob to Reset and turn the power off.

### **To Winterize the Washer Dryer Using RV Antifreeze:**

Two methods of introducing antifreeze to the water system can be used. Add antifreeze directly to the water tank or use a separate container of antifreeze with water line hooked to the intake side of the water pump.

1. Turn on the Water Pump. Rotate Selector knob to a wash position with the Wash Temp setting on Warm. Press the power button to On. Allow antifreeze to enter the drum.
2. After water lines are filled with antifreeze, rotate Selector knob to Spin. Allow the pump to drain the drum.
3. Set Selector knob to reset and Timer to zero. The door will unlock in two minutes or less. Turn the power off.
4. Any remaining liquid should contain a sufficient amount of antifreeze to be protected from freezing.



**NOTE: After winter, perform a Test Procedure before washing or drying any laundry to make sure all antifreeze has purged.**



**Monaco Coach Corporation**  
91320 Coburg Industrial Way  
Coburg, OR 97408  
[www.monaco-online.com](http://www.monaco-online.com)

**Warranty/Technical Support**  
Toll Free 877-466-6226



**Beaver**  
PO Box 5639  
Bend, OR 97708  
[www.beavermotorcoaches.com](http://www.beavermotorcoaches.com)

**Warranty/Technical Support**  
Toll Free 800-344-6332



**Indiana Operations**  
1809 W. Hively  
Elkhart, IN 46517  
[www.holidayrambler.com](http://www.holidayrambler.com)

**Warranty/Technical Support**  
Toll Free 877-466-6226



**Safari**  
91320 Coburg Industrial Way  
Coburg, OR 97408  
[www.safarimotorcoaches.com](http://www.safarimotorcoaches.com)

**Warranty/Technical Support**  
Toll Free 877-466-6226